



## • ED8025 Series.

**DC Brushless fan.**

**Size: 80 x 80 x 25 mm**

**3.15 x 1 Inches.**

**Airflow: Max. 64CFM /1.8 m3/min**

**Plastic Impeller / Plastic Frame.**

Model No.	Rated Voltage	Voltage Range	Input Power	Rated Current	Ref Speed	Max. Airflow		Max. Static Pressure		Noise Level	PQ Curves
	VDC	VDC	Watt	Amp	RPM	CFM	m3/min	Inch/H2O	mm/H2O	dB (A)	
ED8025-05HH **	5	4~6	1.4	0.28	3200	40	1.1	0.23	5.84	33	HH
ED8025-05H**	5	4~7	1.4	0.28	2800	35	1	0.22	5.59	32	H
ED8025-05M**	5	4~7	1.0	0.20	2200	30	0.8	0.15	3.81	27	M
ED8025-05L**	5	4~7	0.8	0.15	1800	22	0.6	0.10	2.54	21	L
ED8025-12HHH**	12	8~13.8	2.2	0.18(~0.52)	5000	64	1.8	0.4	10.16	42	-
ED8025-12HH **	12	8~13.8	2.2	0.18	3800	48	1.4	0.26	6.6	35	HH
ED8025-12H**	12	8~13.8	2.2	0.18	3300	40	1.1	0.23	5.84	33	H
ED8025-12M**	12	8~14	1.8	0.15	2700	32	0.9	0.16	4.06	28	M
ED8025-12L**	12	8~14	1.4	0.12	2000	22	0.6	0.10	2.54	21	L
ED8025-24HHH**	24	12~27.6	2.9	0.12(~0.25)	5000	64	1.8	0.4	10.16	42	-
ED8025-24HH**	24	12~27.6	2.9	0.12(~0.20)	3800	48	1.4	0.26	6.6	35	HH
ED8025-24H**	24	2~27.6	2.9	0.12	3300	40	1.1	0.23	5.84	33	H
ED8025-24M**	24	12~27.6	2.4	0.10	2700	32	0.9	0.16	4.06	28	M
ED8025-24L**	24	12~28	2.0	0.08	2000	22	0.6	0.10	2.54	21	L
ED8025-48HHH**	48	34~56	4.3	0.09	5000	64	1.8	0.4	10.16	42	-
ED8025-48HH**	48	34~56	3.8	0.08	3800	48	1.4	0.26	6.6	35	HH
ED8025-48H**	48	34~56	3.4	0.07	3300	40	1.1	0.23	5.84	33	H
ED8025-48L**	48	34~56	2.4	0.05	2700	32	0.9	0.16	4.06	28	M

\*\* = "BL" for wire lead type Ball bearing Type.

•We reserve the right to change data and improve electrical & mechanical design without notice. data tolerance +10%

### Motor

Motor Type: Brushless DC Motor, auto cutoff, auto restart  
 Burnout Protection: Electronically protected, polarity protected  
 IP Protection: Ratings on request

### Mechanical

Frame: Glass fiber reinforced thermoplastic, rated UL94V-0  
 Impeller: 7 blades, glass fiber reinforced plastic, rated UL94V-0  
 Bearing: Two ball bearings  
 Rotation: CCW seen on rotor  
 Connection: Wire lead  
 Weight: 78 g (0.171 Lbs)

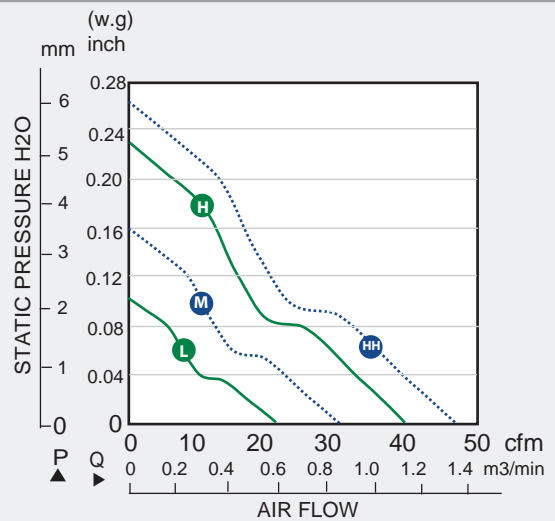
### Electrical

Dielectric Strength: 500 VAC/min. Max leakage 500mA  
 Speed Control: Optional:PWM, S/C NTC thermister on request  
 Signal Output: Optional:R/D alarm output, tachometer output F/G

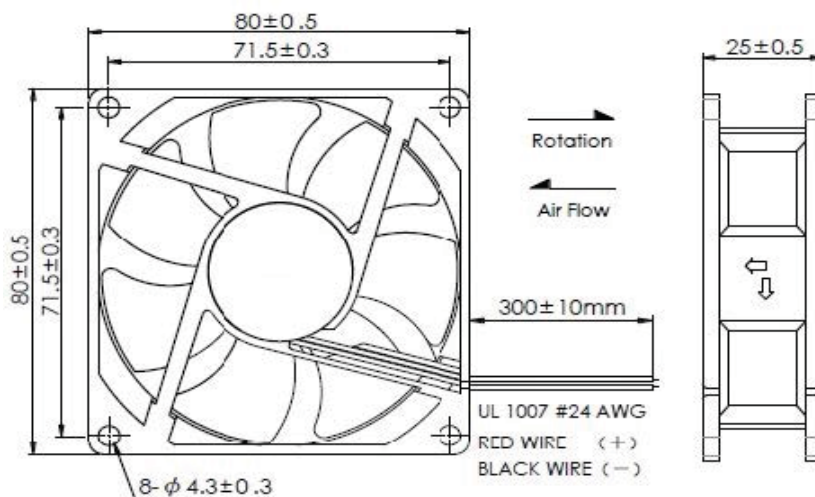
### Environment

Operating Temp: Ambient non-condensing -15°C~+65°C  
 Storage Temp: -25°C~+80°C (at 65%RH)  
 Life Expectancy: L10 60K hours at 45°C, 45K hours at 65°C

### ► Performance P-Q Curves.



### ► Outline Dimensions.



### Fan Accessories

